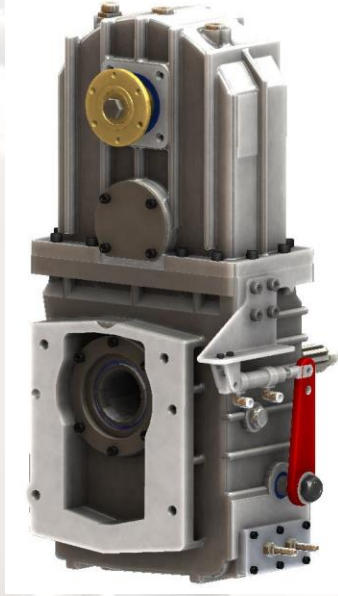


SWCH.110 DATASHEET



Gearbox Type	: WLY Y6G55-40 -227
Weight	: 80 Kg
Body Material	: ETIAL 171
Oil Type & Amount	: 80W-90 & Up to indicator plug

- Equipment can work when drive mode.
- PTO output is on differential side.
- Product has water cooling system.
- Control type : Mechanic or Pneumatic
- Mounted between engine flywheel and transmission.
- Do not engage the equipment while moving!
- Application:
- Fire Fighting Vehicles
- Road Maintenance Vehicles
- Water tankers and other on-vehicle equipment

### First Axis ( Main Axis)

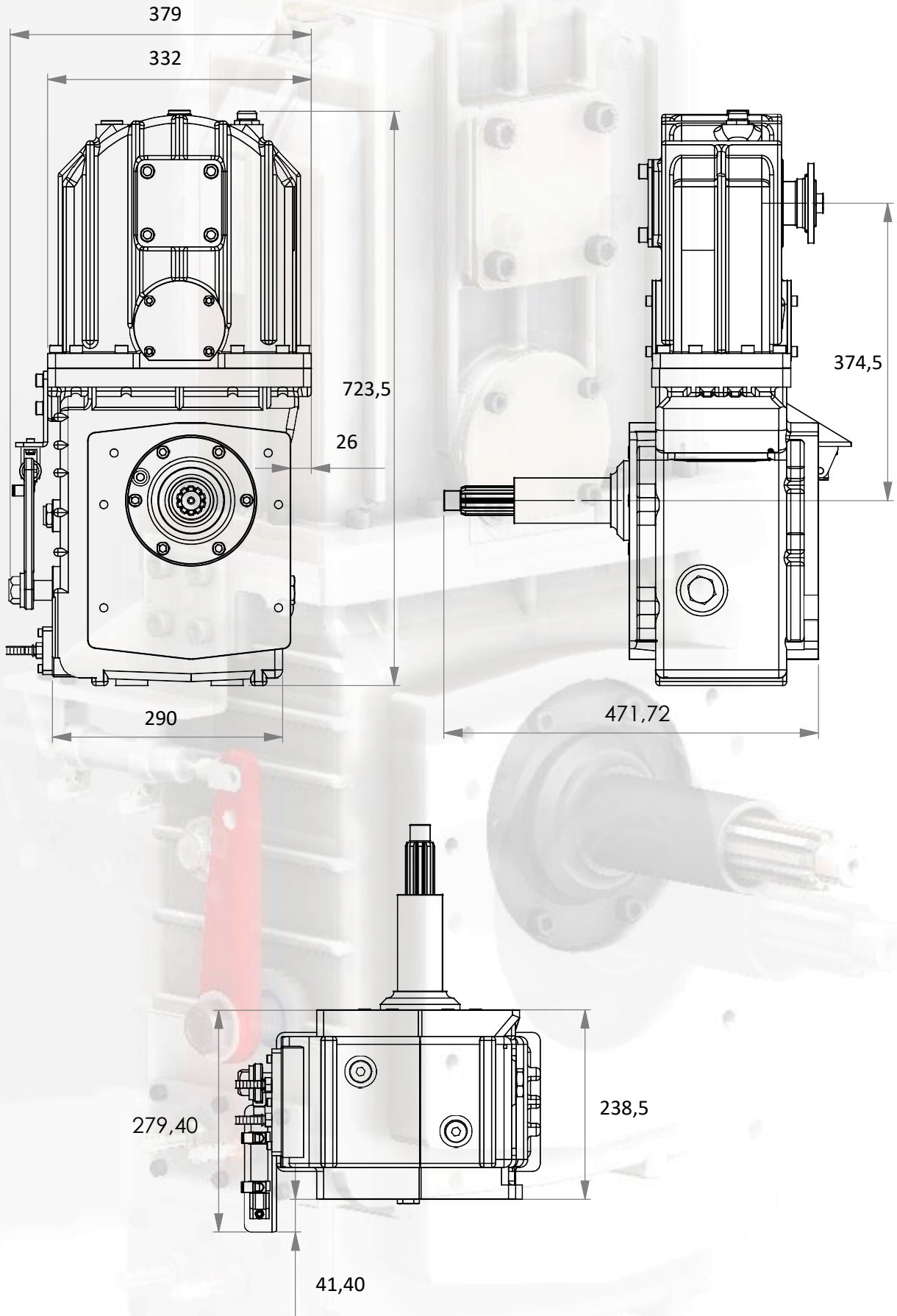
MAX. TORQUE CAPACITY OF MAIN SHAFT (Nm)	1690Nm
MAX. INPUT SPEED OF INPUT AXIS (Rpm)	3850 Rpm
FIRST AXIAL ( MAIN SHAFT) RATIO	1/1
NOMINAL TORQUE, SPEED AND POWER	1190Nm @ 1000 Rpm and 124,6kW

### Second Axis

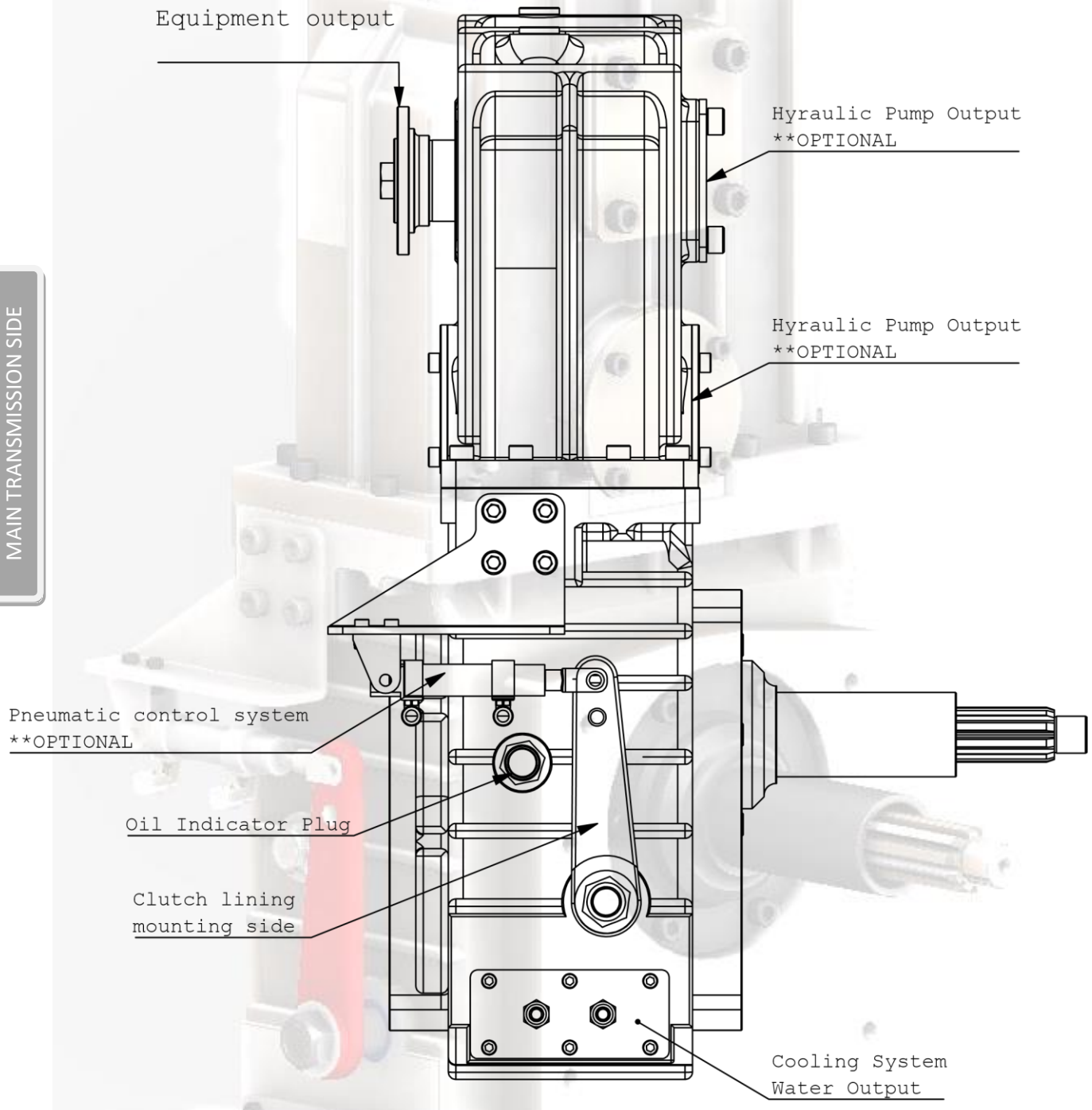
MAX. TORQUE CAPACITY OF SECOND AXIAL SHAFT (Nm)	2165 Nm
MAX. SPEED OF SECOND AXIS (Rpm)	3650 Rpm
SECOND AXIAL RATIO (in/out)	1/0,78 ↓
NOMINAL TORQUE, SPEED AND POWER	1525,64 Nm @ 780 Rpm and 124,6kW

### Third Axis

MAX. TORQUE CAPACITY OF THIRD AXIAL SHAFT (Nm)	1990 Nm
MAX. SPEED OF THIRD AXIS (Rpm)	3650 Rpm
THIRD AXIAL RATIO (in/out)	1/2 ↑
NOMINAL TORQUE, SPEED AND POWER	590Nm @ 2015 Rpm and 124,6 kW



MAIN TRANSMISSION SIDE



Air Vent Plug

OIL FILLING PLUG

MAGNETIC PLUG

Oil Draining Plug

